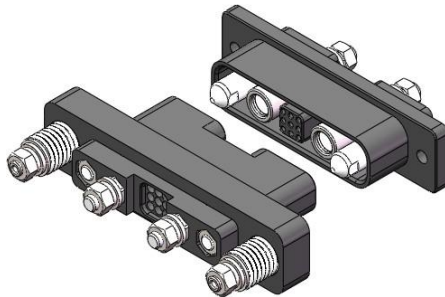


KRX18B Blind-mating connector Data-sheet



Guizhou KeRuiXi Electronic Technology Co., Ltd.

KRX18B Data-sheet

Description

1. There are 2 power contacts with a rated current of 140A and 9 signal contacts with a rated current of 5A.
2. The tail structure of the power terminal is an M6 stud, which can be connected to a copper nose with a $\Phi 6$ hole, and can be connected to a maximum of 35mm^2 . The signal terminal is crimped with a wire of 0.75mm^2 and 1.0mm^2 .
3. The product has the function of automatic compensation for position error, and the compensation value in the X, Y, and Z directions is $\pm 2\text{mm}$.

Technical Specification

Environmental temperature: $-40\text{ }^{\circ}\text{C}$ --- $+125\text{ }^{\circ}\text{C}$

Terminal quantity: $\Phi 8$ --2pcs; $\Phi 1$ --9 pcs

Rated current: $\Phi 8$ ---140A; $\Phi 1$ ---5A

Insulation resistance: $\geq 5000\text{M } \Omega$

Withstand voltage: $\Phi 8$ ---2000V DC; $\Phi 1$ ---800V DC

Salt spray: 96 hours

Mechanical life: 1000 times

Error compensation: X, Y, Z--- $\pm 2\text{mm}$

Cable size: 16mm^2 , 25mm^2 , 35mm^2

How to order--Plug

<u>RX18B</u>	-	<u>11</u>	<u>W2</u>	-	<u>TK</u>
①		②	③		④

①: KRX18B--Mast code

②: 11—Terminal quantity

③: W2— Power terminal quantity:2pcs

④: TK—Plug into hole

How to order--Socket

RX18B	-	11	W2	-	ZJ
①		②	③		④

①: KRX18B--Mast code

②: 11—Terminal quantity

③: W2— Power terminal quantity:2pcs

④: ZJ—Socket into pin

Mounting dimension

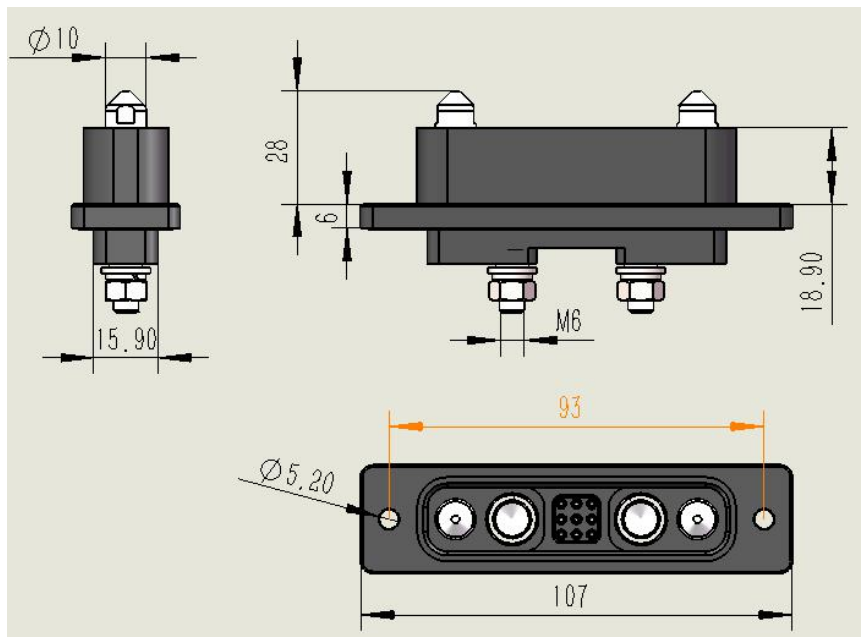


Figure 1---KRX18B-11W2-TK Size

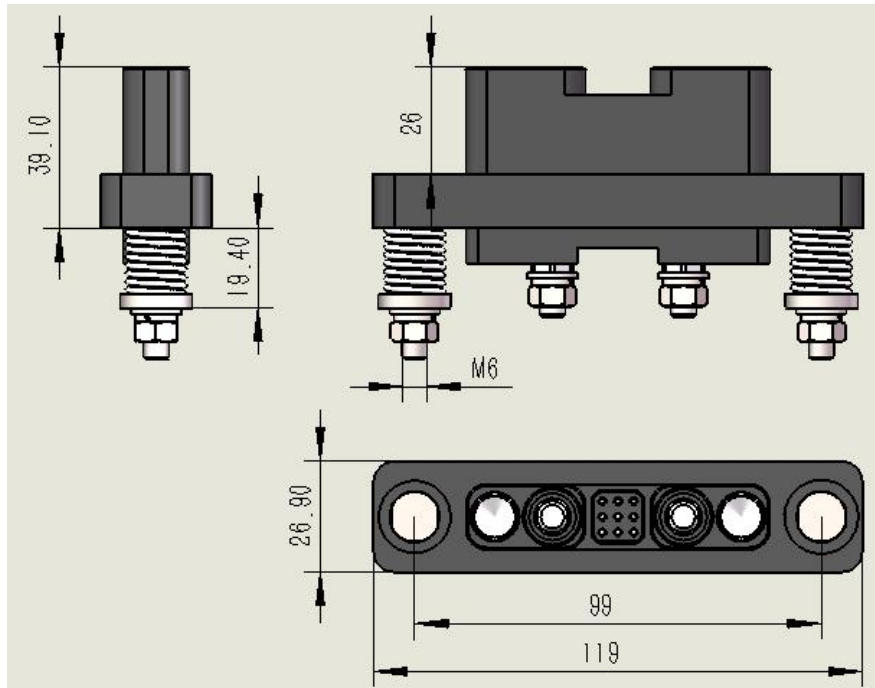


Figure 2---KRX18B-11W2-ZJ Size

Mounting hole dimension

To realize the shielding function of the product, a shielding contact pin must be designed on the installation panel of the product. The size of the mounting hole and the contact pin of each product are required to be as follows:

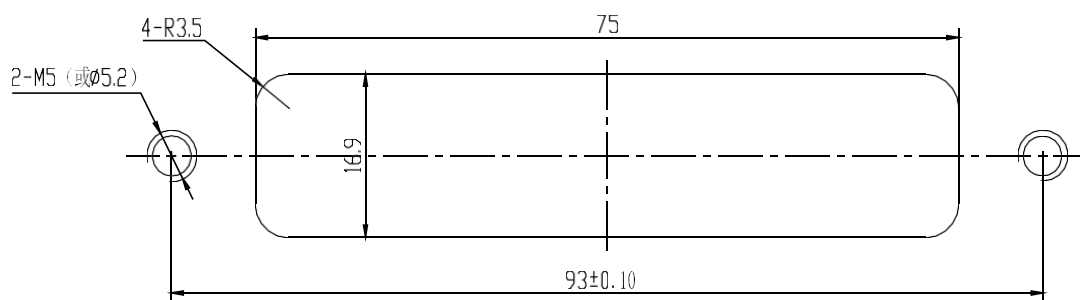


Figure 3---KRX18B-11W2-TK Mounting hole size

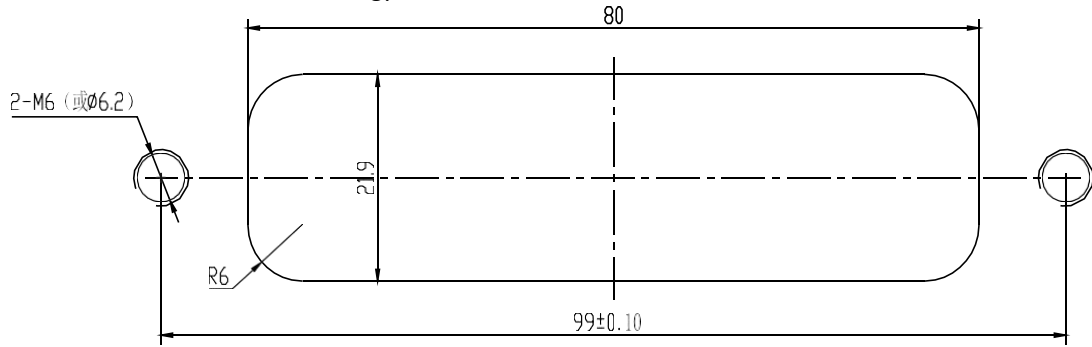


Figure 3---KRX18B-11W2-ZJ Mounting hole size

Connector installation

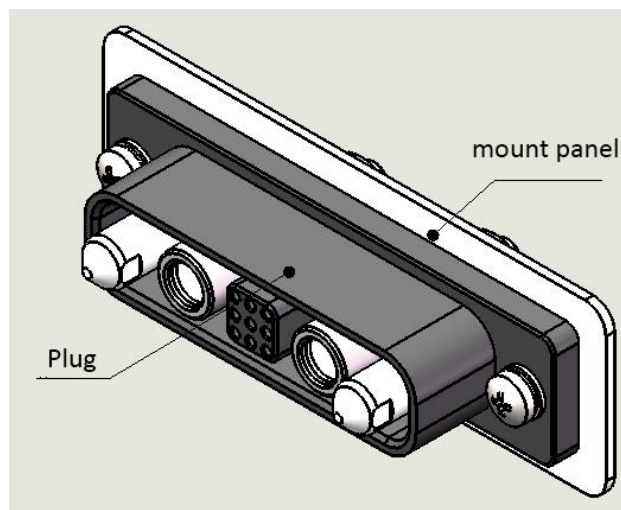


Figure 5 KRX18B-11W2-TK Installation

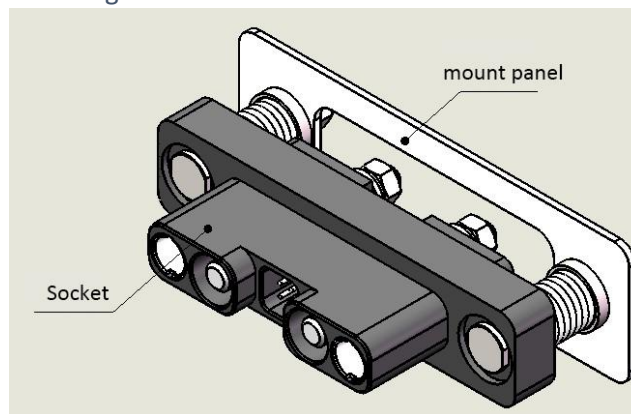


Figure 5 KRX18B-11W2-ZJ Installation

Date: 2020-05-01