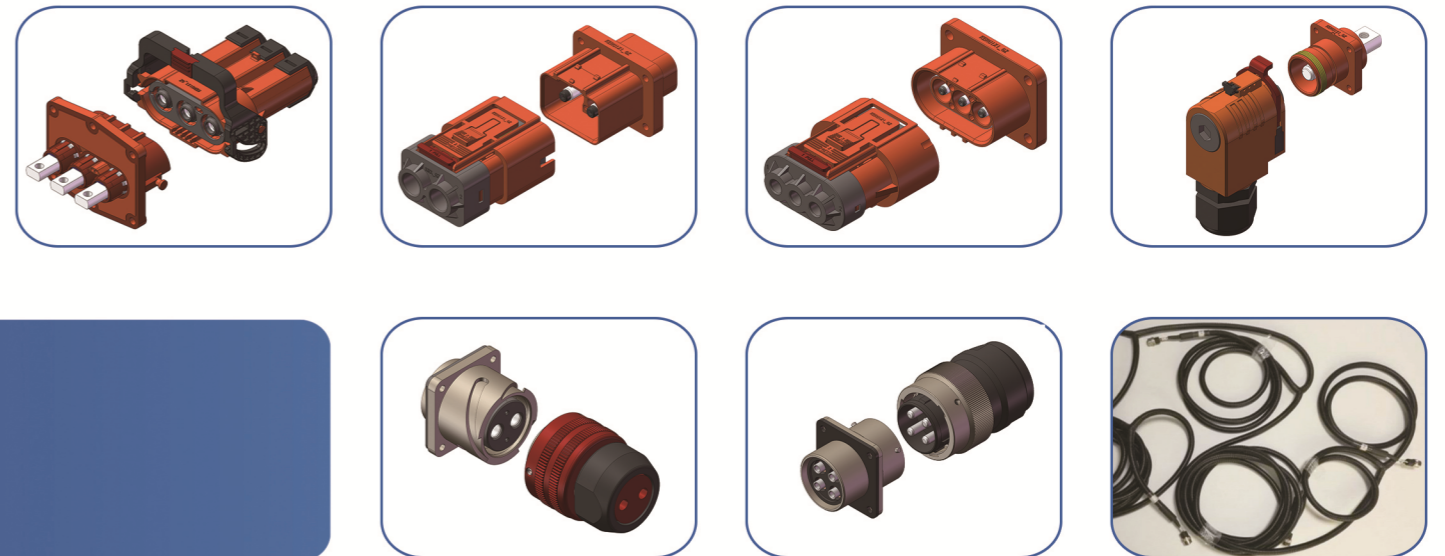




Product Catalogue



Guizhou KeRuiXi Electronic Technology Co., Ltd.

Guizhou KeRuiXi Electronic Technology Co., Ltd.

- 📞 Amber Tan 86-13173007052
- 🌐 Web: www.cnconnectors.com
- ✉ Email: sales@cnconnectors.com
- 🏠 Guiyang City, Guizhou Province, China

KRX MAKE CRITICAL CONNECTION

FOCUS ON HIGH VOLTAGE CONNECTOR SYSTEM



Contents

- ◆ KRX 500/300/60 Series Connector ----- 1-8

- ◆◆ KRX 10/15 Series Connector ----- 9-18
- ◆◆◆ KRX 12 Series Connector ----- 19-20

- ◆◆◆◆ KRX 11 Series Connector ----- 21

- ◆◆◆◆◆ KRX 20 Series Connector ----- 22-25

- ◆◆◆◆◆◆ KRX 16 Series Connector ----- 26-29

- ◆◆◆◆◆◆◆ KRX17 Series Connector ----- 30-31

- ◆◆◆◆◆◆◆◆ KRX1SCM* Fuse Base ----- 32

- ◆◆◆◆◆◆◆◆◆ 2 pin Cross hole Connector ----- 33

- ◆◆◆◆◆◆◆◆◆◆ KRX15 Series 3/4 pin socket -- 34-35

- ◆◆◆◆◆◆◆◆◆◆◆ Harness & PDU ----- 36

500 Series Connector

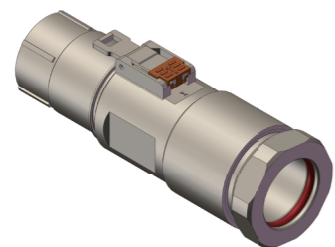
Feature

- ◆ Touch-proof design
- ◆ Ingress protection: IP67
- ◆ 90° and 180° plugs options
- ◆ 360° shielded connection
- ◆ No tool required to unmate
- ◆ Wide wire range options
- ◆ Multiple key options: X, Y, U, V, W
- ◆ HVIL and temperature sensor options

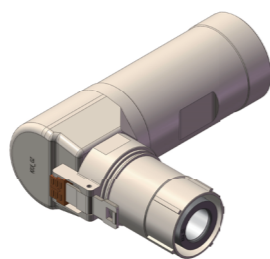
Specification

- ◆ Temperature range: -55°C~+125°C
- ◆ Rated current: 500A
- ◆ Insulation resistance: 500MΩ
- ◆ Dielectric withstand voltage: 5000V DC
- ◆ Mechanical life: 500 times
- ◆ Salt spray: 48 hours
- ◆ Ingress protection: IP67
- ◆ Wire Range: 70mm², 95mm², 120mm², 135mm², 150mm²

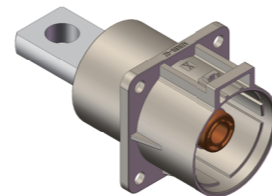
Product Picture



180° Straight Plug

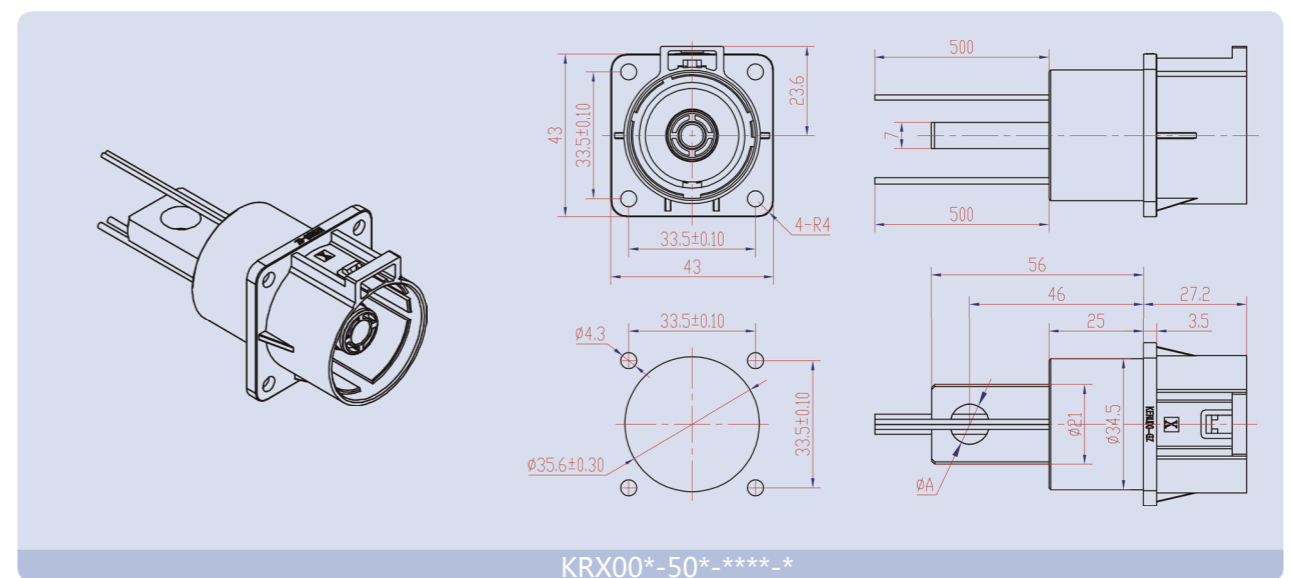
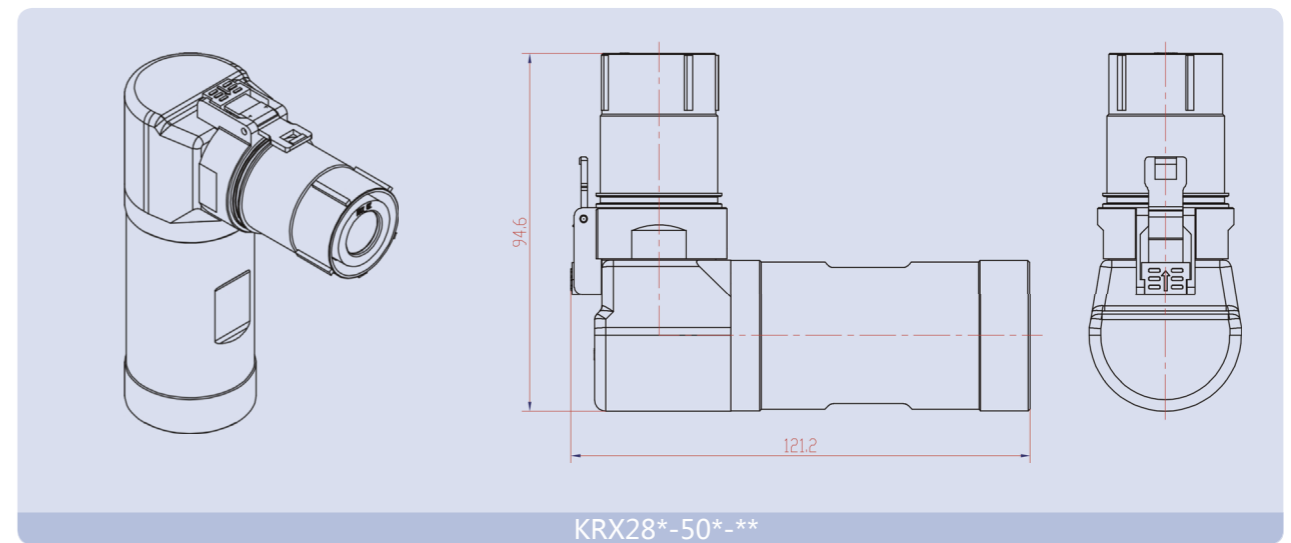
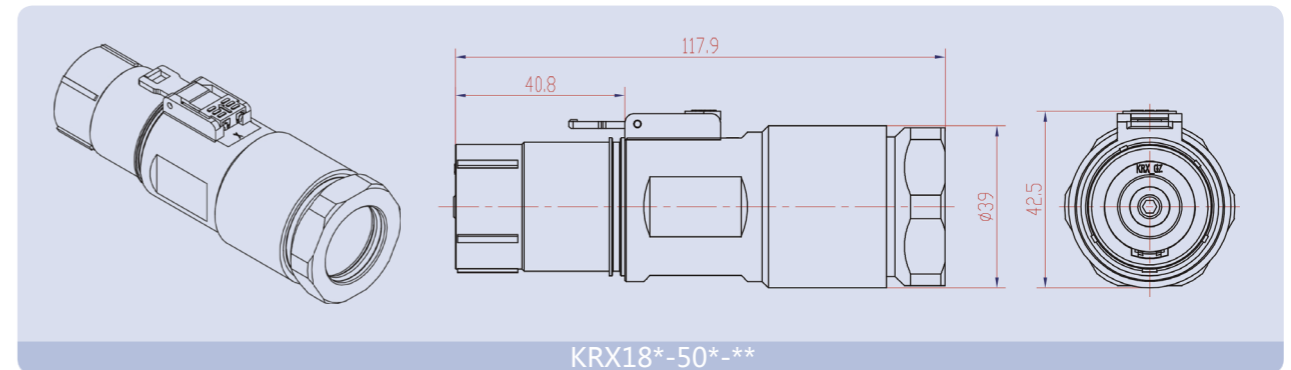


90° Plug



Receptacle

Mounting Dimensions



How To Order

KRX	00	X	-	50	1	-	10D10	-	T
①	②	③		④	⑤		⑥		⑦

- ① Master code: KRX
- ② Product type: 00 is receptacle
- ③ Positions: X, Y, U, V, W
- ④ Rated current: 50--500A
- ⑤ HVIL: 1 is Yes, 0 is No
- ⑥ Copper row connection hole specification: 10D10, 10M10 is optional
- ⑦ Temperature sensor: T is Yes, No mark is No

KRX	18	X	-	50	0	-	95
①	②	③		④	⑤		⑥

- ① Master code: KRX
- ② Product type: 18 is 180° straight plug, 28 is 90° plug
- ③ Positions: X, Y, U, V, W
- ④ Rated current: 50--500A
- ⑤ HVIL: 1 is Yes, 0 is No
- ⑥ Wire range: 70 mm², 95 mm², 135 mm², 120 mm², 150 mm²

300 Series Connector

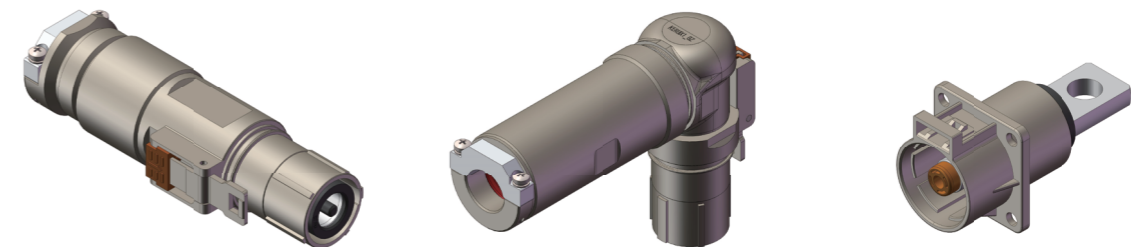
Feature

- ◆ Touch-proof design
- ◆ Ingress protection: IP67
- ◆ 90° and 180° plugs options
- ◆ 360° shielded connection
- ◆ No tool required to unmate
- ◆ Wide wire range options
- ◆ Multiple key options: X, Y, U, V, W
- ◆ HVIL and temperature sensor options

Specification

- ◆ Temperature range: -55°C~ +125°C
- ◆ Rated current: 300A
- ◆ Insulation resistance: 500MΩ
- ◆ Dielectric withstand voltage: 5000V DC
- ◆ Mechanical life: 500 times
- ◆ Salt spray: 48 hours
- ◆ Ingress protection: IP67
- ◆ Wire range: 35 mm², 50 mm², 70 mm²

Product Picture

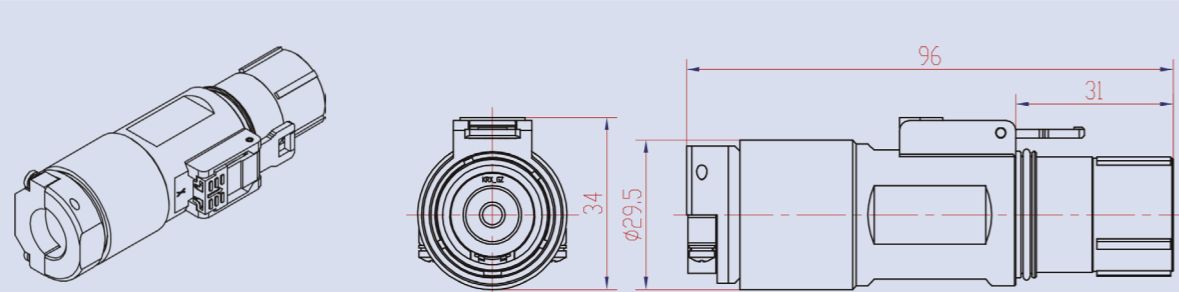


180° Straight Plug

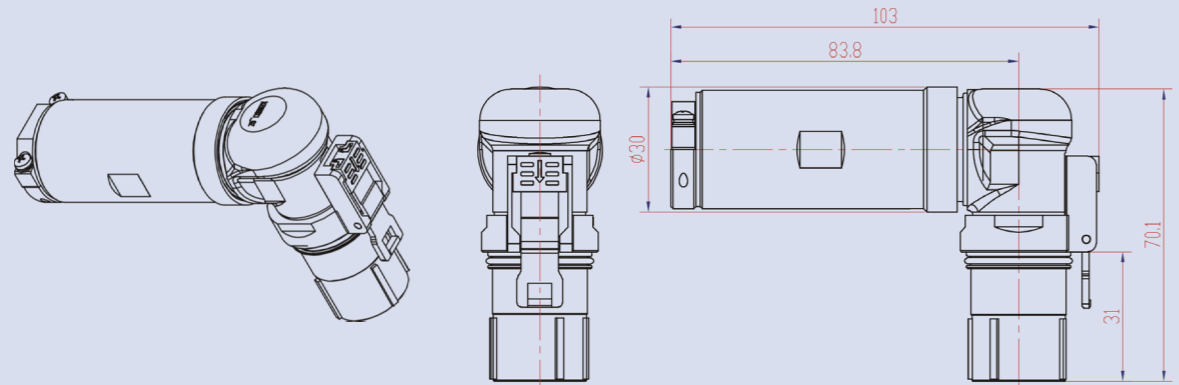
90° Plug

Receptacle

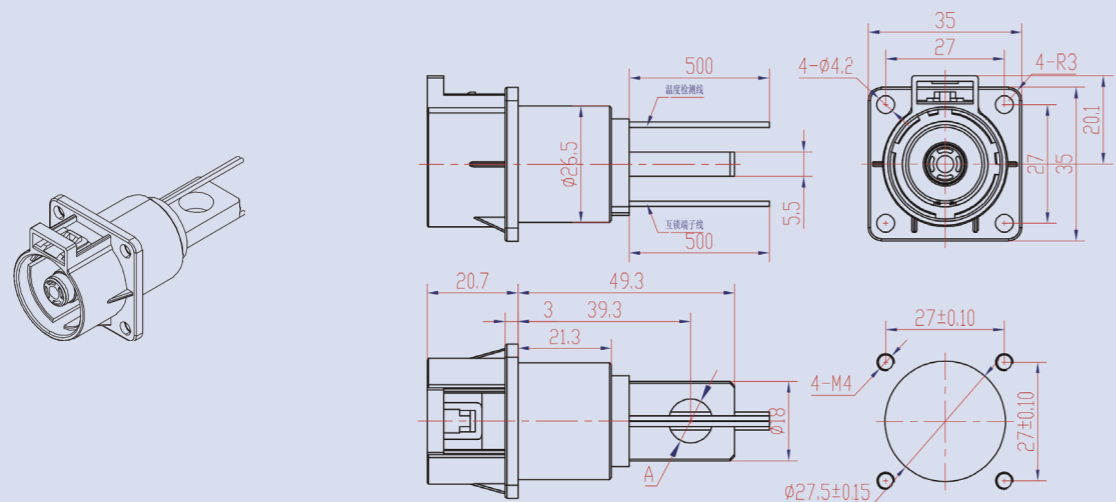
Mounting Dimensions



KRX18*-30*_*



KRX28*-30*_*



KRX00*-30*_*_*_*_*_*

How To Order

KRX	00	X	-	30	1	-	10D10	-	T
①	②	③		④	⑤		⑥		⑦

- ① Master code: KRX
- ② Product type: 00 is receptacle
- ③ Positions: X, Y, U, V, W
- ④ Rated current: 30--300A
- ⑤ HVIL: 1 is Yes, 0 is No
- ⑥ Copper row connection hole specification: 10D10, 10M10, 10D8, 10M8 is optional
- ⑦ Temperature sensor: T is Yes, No mark is No

KRX	18	X	-	30	0	-	35
①	②	③		④	⑤		⑥

- ① Master code: KRX
- ② Product type: 18 is 180° straight plug, 28 is 90° plug
- ③ Positions: X, Y, U, V, W
- ④ Rated current: 30--300A
- ⑤ HVIL: 1 is Yes, 0 is No
- ⑥ Wire Range: 35 mm², 50 mm², 70 mm²

60 Series Connector

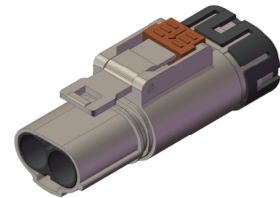
Feature

- ◆ Touch-proof design
- ◆ Ingress protection: IP67
- ◆ 360° shielded connection
- ◆ No tool required to unmate
- ◆ Multiple key options: X, Y, U
- ◆ Shield and unshielded plug options
- ◆ HVIL and temperature sensor options
- ◆ Wide wire range options: 2.5mm², 4.0 mm², 6.0 mm², 10.0 mm²

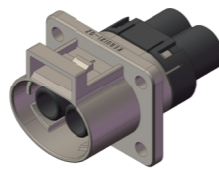
Specification

- ◆ Temperature range: -55°C~ +125°C
- ◆ Rated current: 60A
- ◆ Insulation resistance: 500MΩ
- ◆ Dielectric withstand voltage: 5000V DC
- ◆ Mechanical life: 500 times
- ◆ Salt spray: 48 hours
- ◆ Ingress protection: IP67

Product Picture

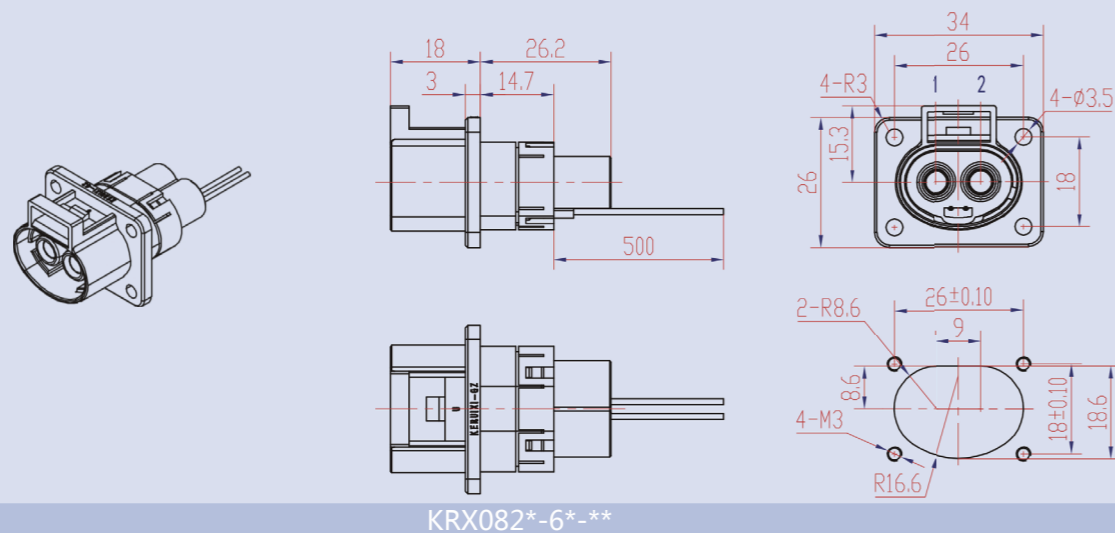


Plug

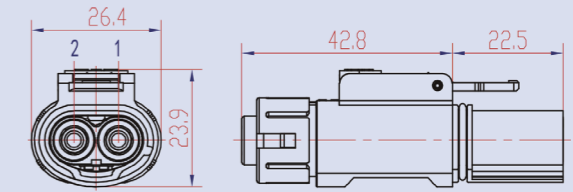
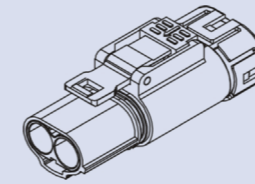


Receptacle

Mounting Dimensions



KRX082*-6*-**



KRX*82-6*-**

How To Order

KRX	082	X	-	6	1	-	2.5
KRX	182	X	-	6	0	-	2.5
①	②	③		④	⑤		⑥

- ① Master Code: KRX
- ② Product type: 082 is receptacle, 182 is shielded plug, 482 is unshielded plug
- ③ Position: X, Y, U
- ④ Rated current: 6--60A
- ⑤ HVIL: 1 is YES, 0 is No
- ⑥ Wire range: 2.5mm², 4.0 mm², 6.0 mm², 10.0 mm²

KRX10 Single pin Connector

Feature

- ◆ Touch-proof design
- ◆ Ingress protection: IP67
- ◆ 360° shielded connection
- ◆ 90° and 180° plugs options
- ◆ Multiple key options: B, R
- ◆ Triple spiral slot bayonet locking
- ◆ Wide wire range options: 25mm², 35mm², 50mm²
- ◆ Receptacle hole built in crown springs, both surface are silver plated

Specification

- ◆ Temperature range: -55℃~+125℃
- ◆ Salt spray: 48 hours
- ◆ Rated current: 150A
- ◆ Ingress protection: IP67
- ◆ Insulation resistance: 500MΩ
- ◆ Dielectric withstand voltage: 3000V DC
- ◆ Mechanical life: 500 times

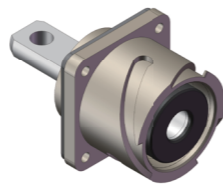
Product Picture



180° Straight Plug

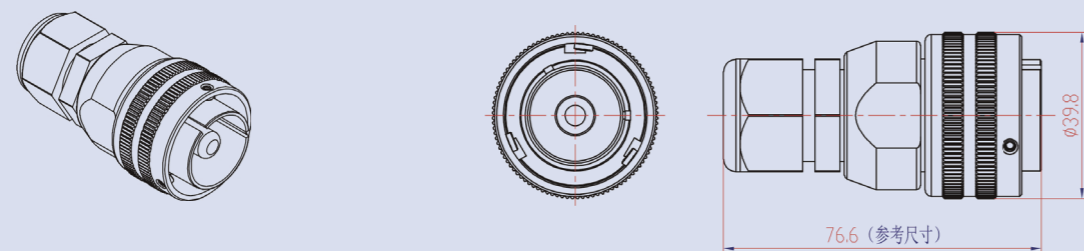


90° Plug

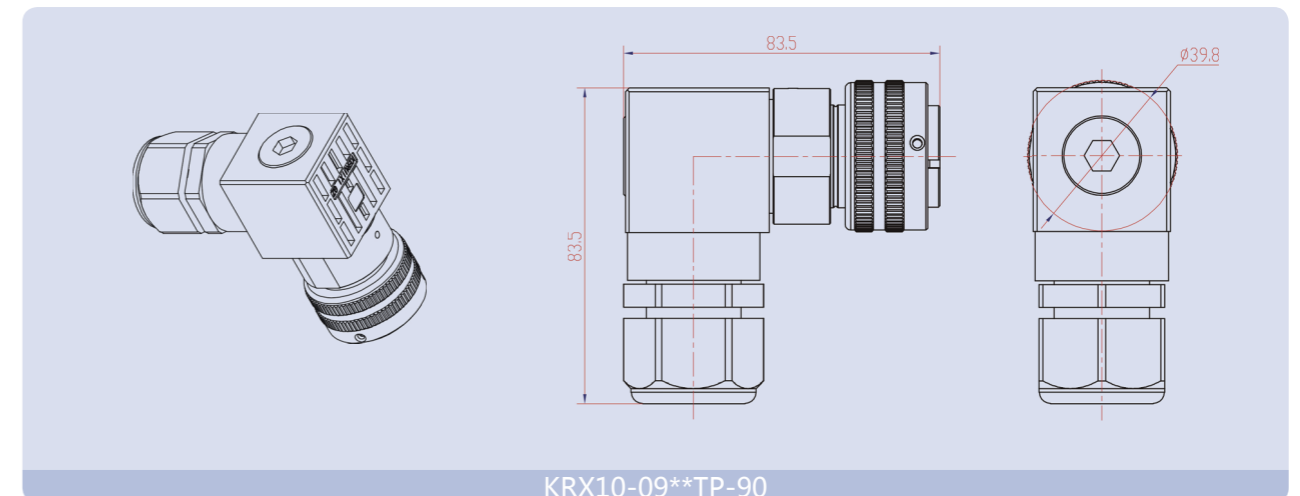


Receptacle

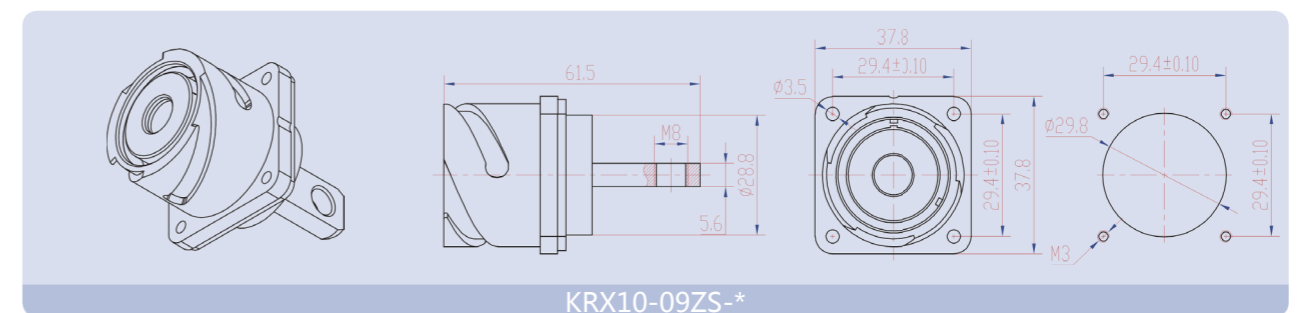
Mounting Dimensions



KRX10-09**TP-*



KRX10-09**TP-90



KRX10-09ZS-*

How To Order

KRX	10	-	09	35	TP	-	R	-	90
KRX	10	-	09		ZS	-	B		
①	②		③	④	⑤		⑥		⑦

- ① Master Code: KRX
- ② Product series: 10
- ③ Pin Size: 09--Φ9
- ④ Wire range: 25--25mm², 35--35mm², 50--50mm²
- ⑤ Connector type: TP is plug with pin, ZS is receptacle with hole, TS is plug with hole, ZP is receptacle with pin
- ⑥ Position code, color and angle: R is red, 90°, B is black, 120°
- ⑦ Tail Cover Code: No mark-- Wire waterproof joint 90-- elbow waterproof tail cover

KRX10 Two Pin Connector

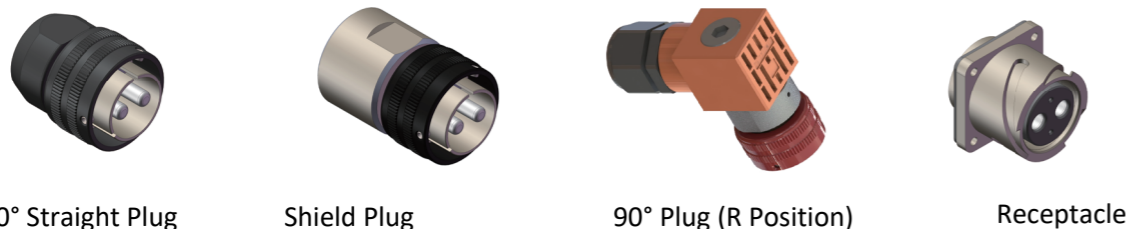
Feature

- ◆ Touch-proof design
- ◆ 360° shielded connection
- ◆ Multiple key options: B, R
- ◆ Wide wire range options: 8.0mm², 10.0mm², 16.0mm²
- ◆ Receptacle hole built in crown springs, both surface are silver plated
- ◆ Ingress protection: IP68
- ◆ 90° and 180° plugs options
- ◆ Triple spiral slot bayonet locking

Specification

- ◆ Temperature Range: -55°C~+125°C
- ◆ Rated Current: 80A
- ◆ Insulation Resistance: 500MΩ
- ◆ Dielectric Withstand Voltage: 2000V
- ◆ Mechanical Life: 500 times
- ◆ Salt Spray: 48 hours
- ◆ Ingress Protection: IP68

Product Picture



180° Straight Plug

Shield Plug

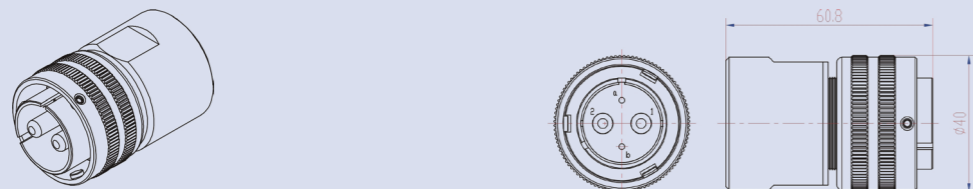
90° Plug (R Position)

Receptacle

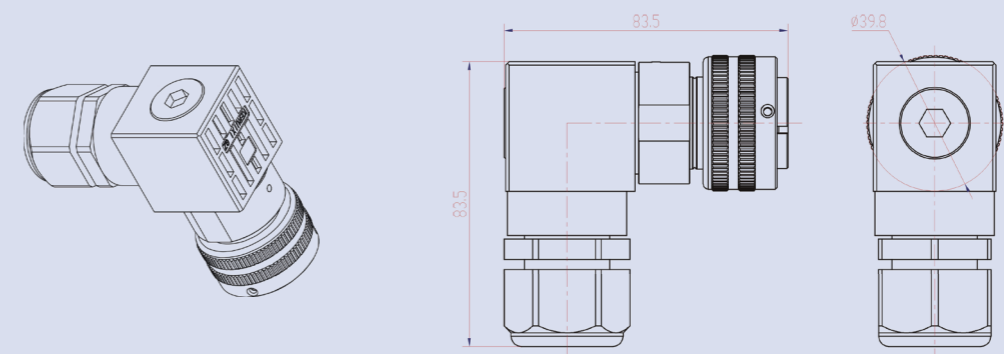
Mounting Dimensions



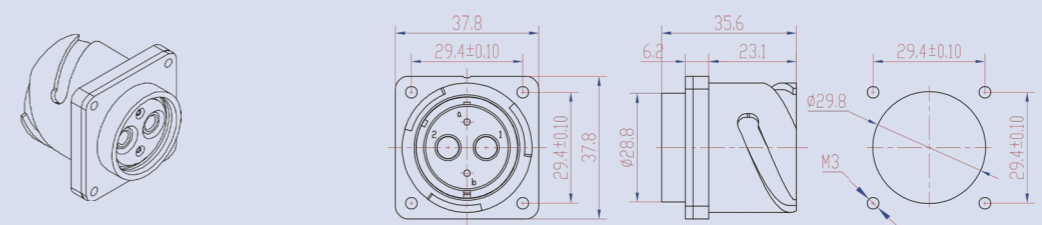
KRX10-2X06TP-0100-*



KRX10-2X06TP-0101-*



KRX10-2X06TP-0190-*



KRX10-2X06ZS-B

How To Order

KRX	10	H	-	2X06	TP	-	0100	-	B	-	10	S
KRX	10		-	2X06	ZS		-		B	-	10	
①	②	③		④	⑤		⑥		⑦		⑧	⑨

- ① Master code: KRX : KRX
- ② Product series: 10
- ③ HVIL: No mark--No HVIL H--Included HVIL
- ④ Pin size: 2X06--2 , Pin Size: Φ6
- ⑤ Type: TP is plug & pin, ZS is receptacle & hole, TS is plug & hole, ZP is receptacle & pin
- ⑥ Plug type: 0100--Straight outgoing wire Plug; 0190--90° outgoing wire Plug
- ⑦ Position code, color and angle: R is red, 90°, B is black, 120°
- ⑧ Wire range : 8--8.0 mm²、10--10.0mm²、16--16.0 mm²、25--25.0 mm²
- ⑨ Shield Function: S--shield, No mark--unshielded

KRX15 Three Pin Connector

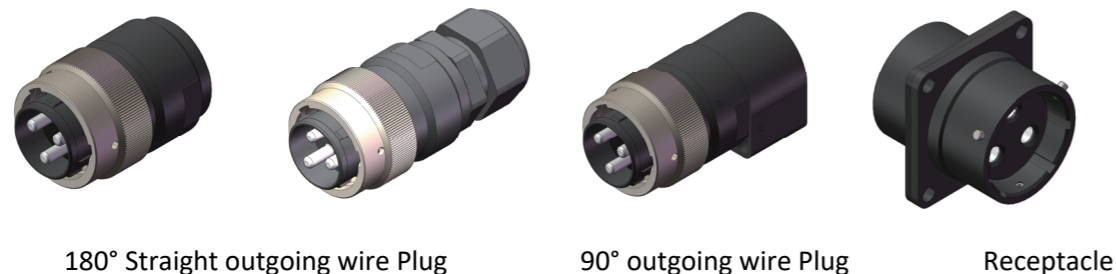
Feature

- ◆ Touch-proof design
- ◆ 360° shielded connection
- ◆ Triple spiral slot bayonet locking
- ◆ 180° Straight and 90° outgoing wire plug options
- ◆ Wide wire range options: 2.5mm², 4.0mm², 6.0mm²
- ◆ Receptacle hole built in crown springs, both surface are silver plated
- ◆ Ingress protection: IP67

Specification

- ◆ Temperature Range: -55°C~ +125°C
- ◆ Rated Current: 50A
- ◆ Insulation Resistance: 500MΩ
- ◆ Dielectric Withstand Voltage: 2500V DC
- ◆ Mechanical Life: 500 times
- ◆ Salt Spray: 48 hours
- ◆ Ingress Protection: IP67
- ◆ Wire Range: 2.5 mm², 4.0 mm², 6.0 mm²
- ◆ Wire Diameter: Φ6-Φ12

Product Picture

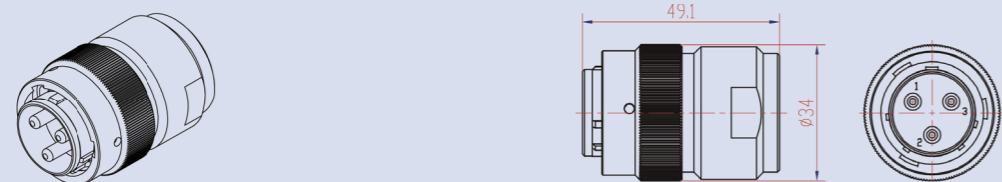


180° Straight outgoing wire Plug

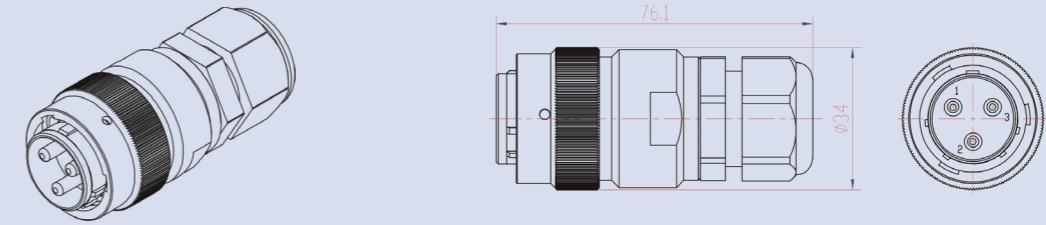
90° outgoing wire Plug

Receptacle

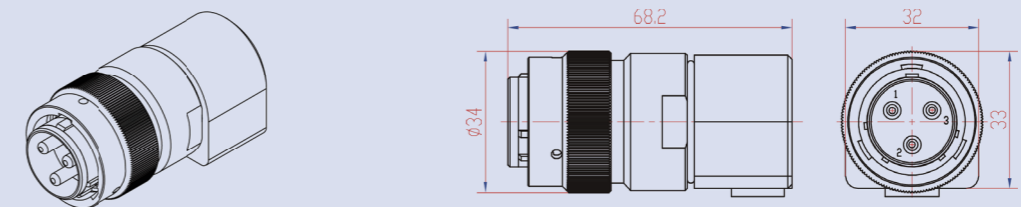
Mounting Dimensions



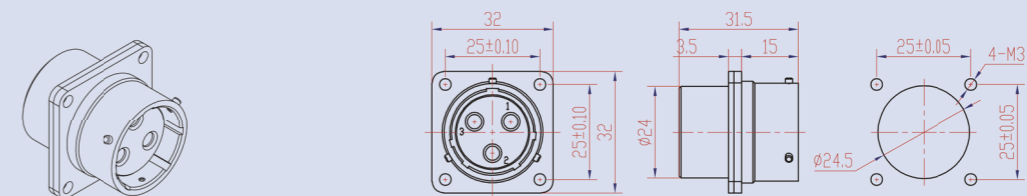
KRX15-03TJ-0100-***



KRX15-03TJ-A-***



KRX15-03TJ-0190-***



KRX15A-03ZK-***

How To Order

KRX	15	-	03	TJ	-	0100	-	025
KRX	15A	-	03	ZK		-		025
①	②		③	④		⑤		⑥

- ① Master Code: KRX
- ② Product Series: 15
- ③ Position: 03 is 3
- ④ Type: TJ is plug & pin, ZK is receptacle & pin, TK is plug & hole, ZJ is receptacle & pin
- ⑤ Plug type: 0100-Straight outgoing wire Plug; 0190-90° outgoing wire Plug
- ⑥ Wire range: 025--2.5mm², 040--4.0mm², 060--6.0mm²

KRX15 Four Pin connector

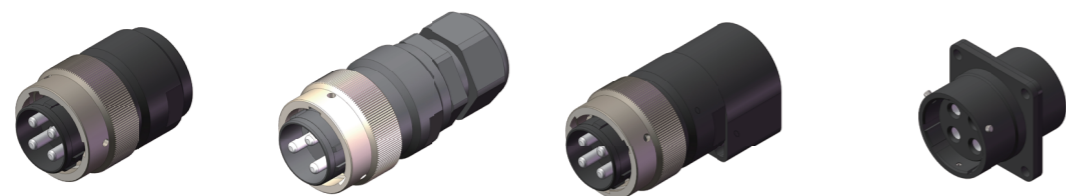
Feature

- ◆ Touch-proof design
- ◆ 360° shielded connection
- ◆ Triple spiral slot bayonet locking
- ◆ 180° Straight and 90° outgoing wire plug options
- ◆ Wide wire range options: 2.5mm², 4.0mm², 6.0mm²
- ◆ Receptacle hole built in crown springs, both surface are silver plated
- ◆ Ingress protection: IP67

Specification

- ◆ Temperature Range: -55°C~ +125°C
- ◆ Rated Current: 50A
- ◆ Insulation Resistance: 500MΩ
- ◆ Dielectric Withstand Voltage: 2500V DC
- ◆ Mechanical Life: 500 times
- ◆ Salt Spray: 48 hours
- ◆ Ingress Protection: IP67
- ◆ Wire Range: 2.5 mm², 4.0 mm², 6.0 mm²
- ◆ Wire Diameter: Φ6-Φ12

Product Picture

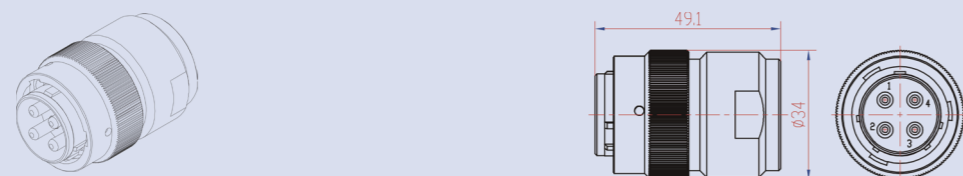


180° Straight outgoing wire Plug

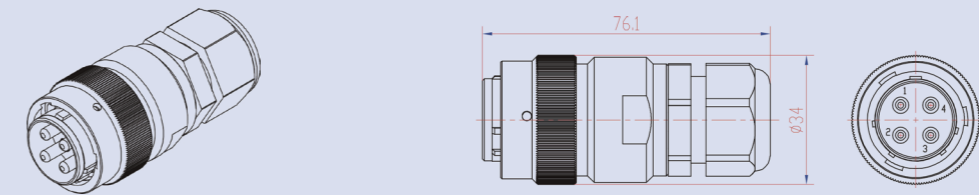
90° outgoing wire Plug

Receptacle

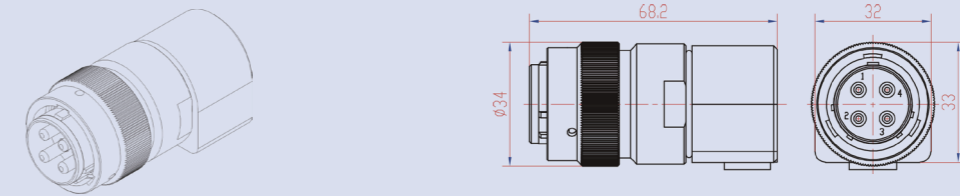
Mounting Dimensions



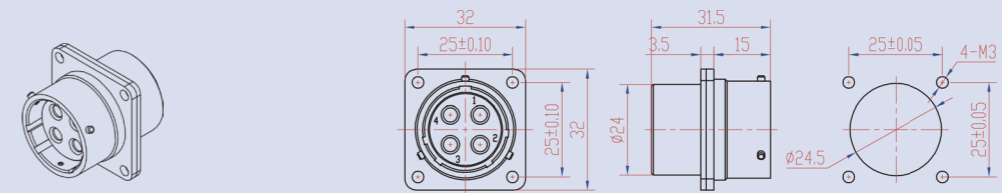
KRX15-04TJ-0100-***



KRX15-04TJ-A-***



KRX15-04TJ-0190-***



KRX15A-04ZK-***

How To Order

KRX	15	-	04	TJ	-	0100	-	025
KRX	15A	-	04	ZK		-		025
①	②		③	④		⑤		⑥

- ① Master code: KRX
- ② Product series: 15
- ③ Position: 04 is 4
- ④ Type: TJ is plug & pin, ZK is receptacle & pin, TK is plug & hole, ZJ is receptacle & pin
- ⑤ Plug type: 0100-Straight outgoing wire Plug; 0190-90° outgoing wire Plug
- ⑥ Wire Range: 025--2.5mm², 040--4.0mm², 060--6.0mm²

KRX15 19-Pin Connector

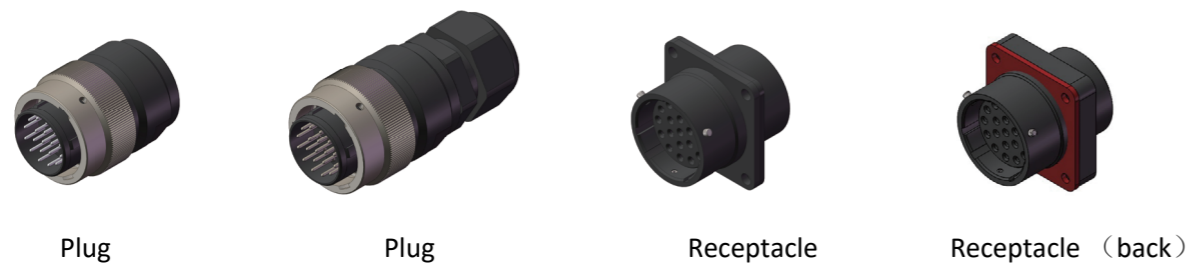
Product Character

- ◆ Touch-proof design
- ◆ Ingress protection: IP67
- ◆ 360° shielded connection
- ◆ Triple spiral slot bayonet locking
- ◆ Wide wire range options: 0.5mm², 0.75mm², 1.0mm²
- ◆ Receptacle hole built in crown springs, both surface are silver plated

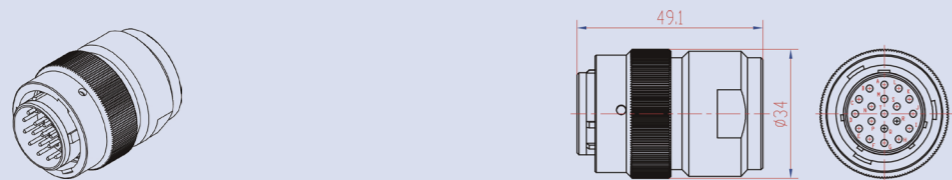
Main Feature

- ◆ Temperature Range: -55°C ~ +125°C
- ◆ Rated Current: 5A
- ◆ Insulation Resistance: 500MΩ
- ◆ Dielectric Withstand Voltage: 500V DC
- ◆ Mechanical Life: 500 times
- ◆ Salt Spray: 48 hours
- ◆ Ingress Protection: IP67
- ◆ Wire Diameter: Φ6-Φ12

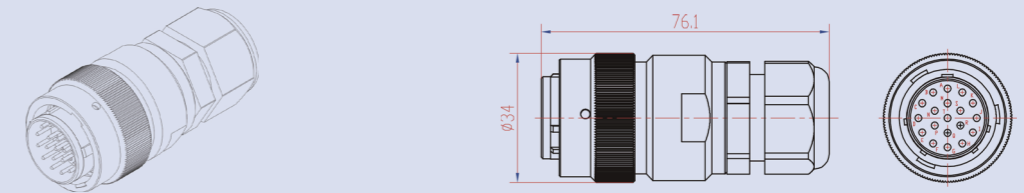
Product Picture



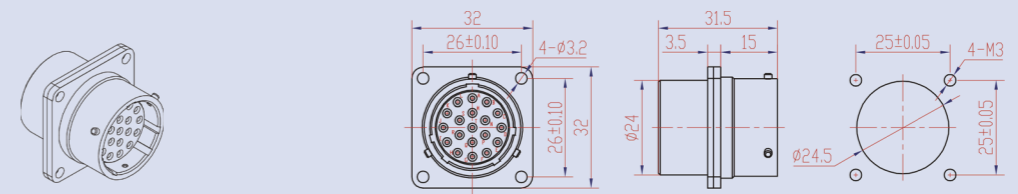
Mounting Dimensions



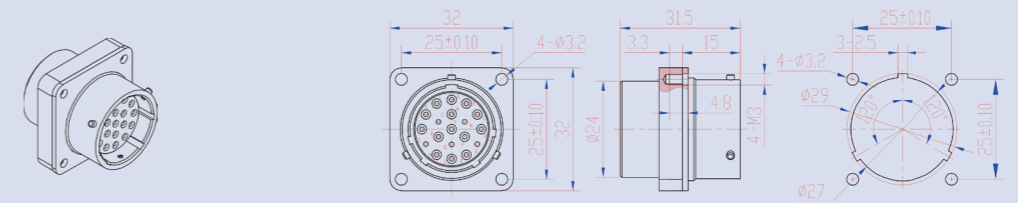
KRX15-19TJ



KRX15-19TJ-A



KRX15-19ZK



KRX15-19ZK-01

How To Order

KRX	15	-	19	TJ	-	A
KRX	15A	-	19	ZK	-	01
①	②		③	④		⑤

- ① Master Code: KRX
- ② Product Series: 15
- ③ Pin/Hole: 19
- ④ Type: TJ is plug & pin, ZK is receptacle & pin, TK is plug & hole, ZJ is receptacle & pin
- ⑤ (For Plug) : A-- Multi-Pin, No mark -- Single Pin
(For Socket) : 01-- Back, No mark -- Front

KRX12 connector

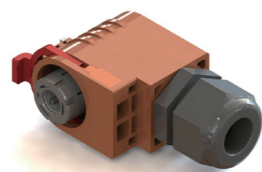
Feature

- ◆ Touch-proof design
- ◆ Ingress protection: IP67
- ◆ 360° shielded connection
- ◆ Wide wire range options
- ◆ Multiple key options: X, Y, U, V, W
- ◆ Push-pull locking with secondary locking function
- ◆ Low power 150A rated current and high power 220A rated current options

Specification

- ◆ Temperature Range: -55°C ~ +125°C
- ◆ Rated Current: 150A, 220A
- ◆ Insulation Resistance: 500MΩ
- ◆ Dielectric Withstand Voltage: 3000V DC
- ◆ Mechanical Life: 500 times
- ◆ Salt Spray: 48 hours
- ◆ Sealing: IP67
- ◆ Wire Range: 25mm², 35mm², 50mm², 70mm²

Product Picture

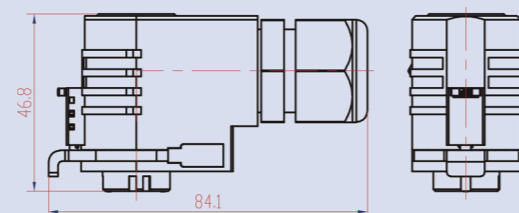
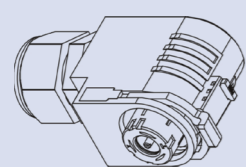


Plug

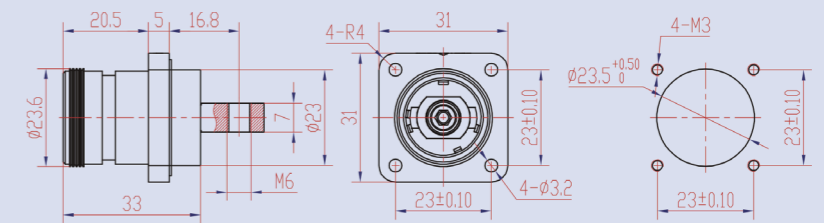
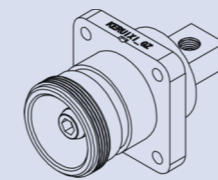


Receptacle

Mounting Dimension



KRX12*-08**TK



KRX12*-08ZJ-M*

How To Order

KRX	12	X	-	08	35	TK
①	②	③		④	⑤	⑥

- ① Master Code: KRX
- ② Product Series: 12
- ③ Position: X, Y, U, V, W
- ④ Copper Row: 08--Φ8
- ⑤ Wire range: low power: 25--25mm², 35--35mm² High power: 50--50mm², 70--50mm²
- ⑥ Type: TK--Plug mounting hole

KRX	12	X	-	08	ZJ	-	M6
①	②	③		④	⑤		⑥

- ① Master Code: KRX
- ② Product series: 12
- ③ Position: X, Y, U, V, W
- ④ Copper Row: 08--Φ8
- ⑤ Connector Type: ZJ-- Receptacle mounting pin
- ⑥ Size: M6--Screw hole size is M6 (Lower Power), M8--crew hole size is M8 (High Power)

KRX11 Series Connector

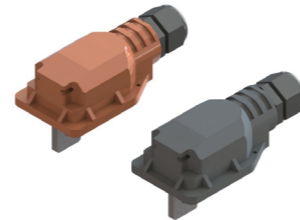
Feature

- ◆ Touch-proof design
- ◆ Wide wire range
- ◆ Ingress protection: IP67
- ◆ 360° shielded connection
- ◆ Multiple key options: B, R

Specification

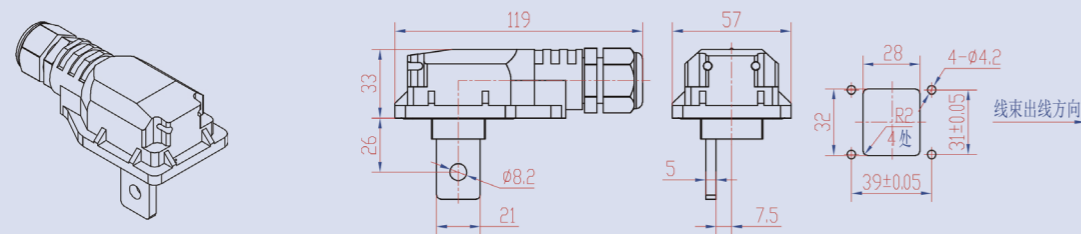
- ◆ Temperature Range: -55°C~+125°C
- ◆ Rated Current: 200A
- ◆ Insulation Resistance: 500MΩ
- ◆ Dielectric Withstand Voltage: 3000V DC
- ◆ Ingress Protection: IP67
- ◆ Wire Range: 35mm², 50mm², 70mm²

Product Picture



Product

Mounting Dimension



KRX11-**-*

How To Order

KRX	11	-	35	-	B
①	②		③		④

- ① Master Code: KRX
- ② Product series: 11
- ③ Wire Range: 35--35mm², 50--50mm², 70--70mm²
- ④ Code: R--Positive(Orange), B--Negative (Black)

KRX20 2-pin Connector

Feature

- ◆ Touch-proof design
- ◆ 90° and 180° plugs
- ◆ HVIL and shield options
- ◆ Wide wire range option
- ◆ Ingress protection: IP67
- ◆ 360° shielded connection
- ◆ Multiple key options: X, Y, U
- ◆ Handle tightening which more convenient and faster

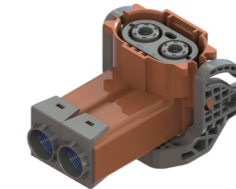
Specification

- ◆ Temperature : -55°C~+125°C
- ◆ Rated Current: 200A
- ◆ Insulation Resistance: 500MΩ
- ◆ Dielectric Withstand Voltage: 3000V DC
- ◆ Mechanical Life: 500 times
- ◆ Salt Spray: 48 hours
- ◆ Ingress Protection: IP67
- ◆ Wire Range: 16mm², 25mm², 35mm², 50mm²

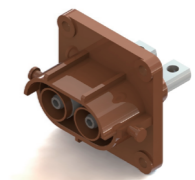
Product Picture



180° Straight Plug

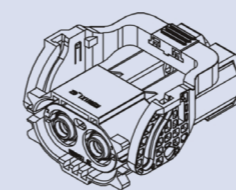


90° Plug

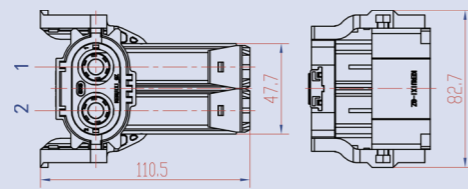
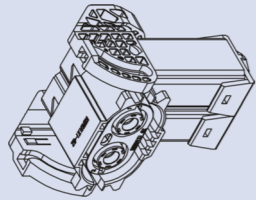


Receptacle

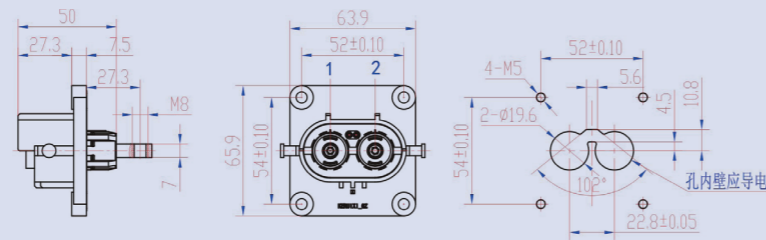
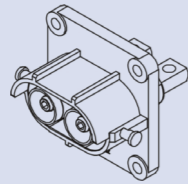
Mounting Dimension



KRX20*-2X08TK-00-**-*



KRX20*-2X08TK-90-**



KRX20*-2X08ZJ-M8-01

How To Order

KRX	20	X	-	2X08	TK	-	00	-	35	-	01
①	②	③		④	⑤		⑥		⑦		⑧

- ① Master Code: KRX
- ② Product series: 20
- ③ Position: X, Y, U
- ④ 2Pin: 2X08--2pin, Pin/hole Diameter: $\Phi 8$
- ⑤ Connector type: TK-- Plug mounting hole
- ⑥ Plug code: 00--180°Straight plug, 90--90° plug,
- ⑦ Wire range: 25--25mm², 35--35mm², 50--50mm²
- ⑧ HVIL: No mark--No HVIL 01--Included HVIL

KRX	20	X	-	2X08	ZJ	-	M8	-	01	-	01
①	②	③		④	⑤		⑥		⑦		⑧

- ① Master code: KRX
- ② Product series: 20
- ③ Position: X, Y, U
- ④ 2Pin: 2X08--2pin, Pin/hole Diameter: $\Phi 8$
- ⑤ Connector type: ZJ-- Receptacle mounting pin
- ⑥ Terminal connection specification: M8-M8 screw thread, D8- $\Phi 8$,
- ⑦ Terminal Tail code: 01--Copper row type
- ⑧ HVIL: No mark--No HVIL 01--Included HVIL

KRX20 3-Pin Connector

Feature

- ◆ Touch-proof design
- ◆ 90° and 180° plugs
- ◆ HVIL and shield options
- ◆ Wide wire range option
- ◆ Ingress protection: IP67
- ◆ 360° shielded connection
- ◆ Multiple key options: X, Y, U
- ◆ Handle tightening which more convenient and faster

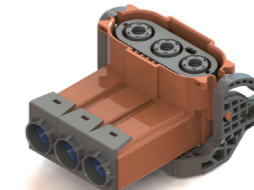
Specification

- ◆ Temperature: -55°C ~ +125°C
- ◆ Rated Current: 200A
- ◆ Insulation Resistance: 500M Ω
- ◆ Dielectric Withstand Voltage: 3000V DC
- ◆ Mechanical Life: 500 times
- ◆ Salt Spray: 48 hours
- ◆ Ingress Protection: IP67
- ◆ Wire Range: 16mm², 25mm², 35mm², 50mm²

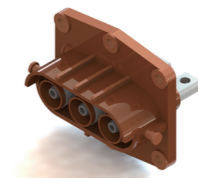
Product Picture



180° Straight Plug

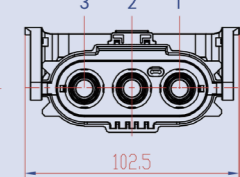
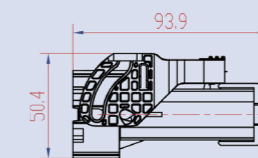
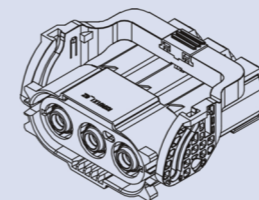


90° Plug

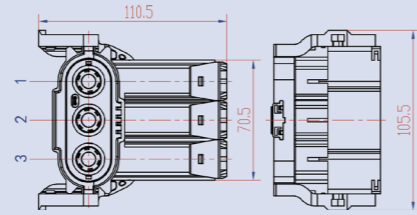
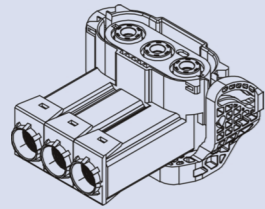


Receptacle

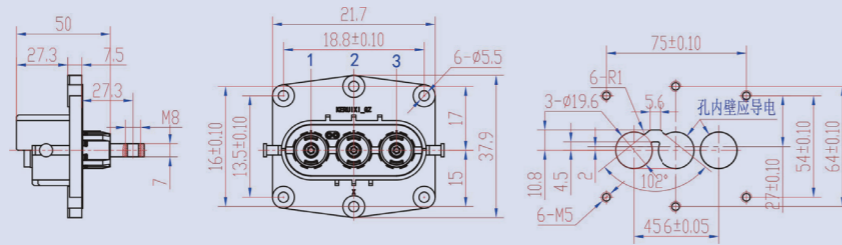
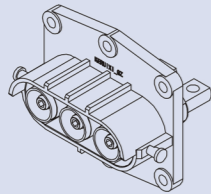
Mounting Dimension



KRX20*-3X08TK-00-**



KRX20*-3X08TK-90-**



KRX20*-3X08ZJ-M8-01-**

How To Order

KRX	20	X	-	3X08	TK	-	00	-	35	-	01
①	②	③		④	⑤		⑥		⑦		⑧

- ① Master Code: KRX
- ② Product series: 20
- ③ Position: X, Y, U
- ④ 3Pin: 3X08-3 pin, Pin/hole diameter: $\Phi 8$
- ⑤ Connector Type: TK-- Plug mounting hole
- ⑥ Plug type: 00--180° Straight plug, 00--90° plug
- ⑦ Wire range: 25--25mm², 35--35mm², 50--50mm
- ⑧ HVIL: No mark--No HVIL 01--Included HVIL

KRX	20	X	-	3X08	ZJ	-	M8	-	01	-	01
①	②	③		④	⑤		⑥		⑦		⑧

- ① Master code: KRX
- ② Product series: 20
- ③ Position: X, Y, U
- ④ 3Pin: 3X08--3pin, Pin/hole Diameter: $\Phi 8$
- ⑤ Connector type: ZJ- Receptacle mounting pin
- ⑥ Terminal connection specification: M8--M8 screw thread, D8-- $\Phi 8$,
- ⑦ Terminal Tail code: 01--Copper row type
- ⑧ HVIL: No mark--No HVIL 01--Included HVIL

KRX16 2-Pin Connector

Product Character

- ◆ Touch-proof design
- ◆ HVIL and shield options
- ◆ Ingress protection: IP67
- ◆ 360° shielded connection
- ◆ Multiple key options: X, Y, U, V *Wide wire range option: 2.5mm², 4.0mm², 6.0mm², 10.0mm²
- ◆ Push-pull locking with secondary locking function

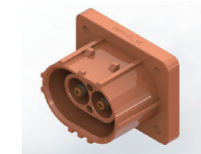
Main Feature

- ◆ Temperature: -55°C ~ +125°C
- ◆ Rated Current: 40A
- ◆ Insulation Resistance: 500M Ω
- ◆ Dielectric Withstand Voltage: 3000V DC
- ◆ Mechanical Life: 500 times
- ◆ Salt Spray: 48 hours
- ◆ Ingress Protection: IP67

Product picture

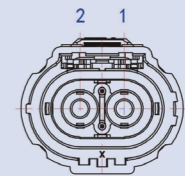
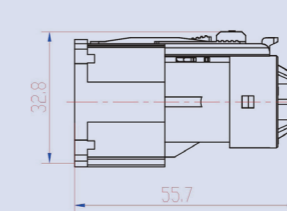
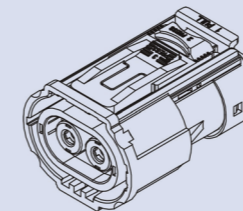


Plug

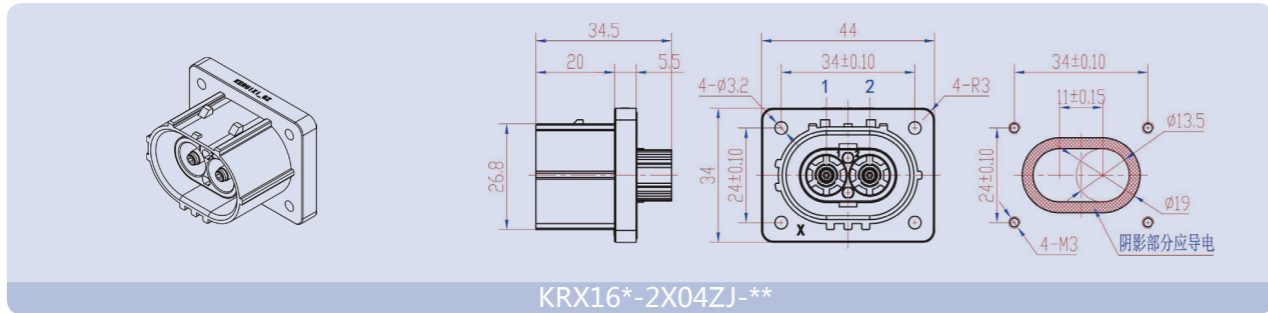


Receptacle

Mounting size



KRX16*-2X04TK-**



KRX16*-2X04ZJ-**

How To Order

KRX	16	X	-	2X04	TK	-	025	-	S	-	01
①	②	③		④	⑤		⑥		⑦		⑧

- ① Master Code: KRX
- ② Product Series: 16
- ③ Position: X, Y, U, V
- ④ 2Pin: 2X04--2 pin, Pin/hole Diameter: Φ4
- ⑤ Connector Type: TK--Plug & hole
- ⑥ Wire Range: 025--2.5mm², 040--4.0mm², 060--6.0mm², 100--10.0mm²
- ⑦ Shield Function: S--shield, No mark--unshielded
- ⑧ HVIL: No mark--No HVIL 01--Included HVIL

KRX	16	X	-	2X04	ZJ	-	025	-	S	-	01
①	②	③		④	⑤		⑥		⑦		⑧

- ① Master Code: KRX
- ② Product Series: 16
- ③ Position: X, Y, U, V
- ④ 2Pin: 2X04--2pin, Pin/hole Diameter: Φ4
- ⑤ Connector: TK--Plug mounting hole, ZJ -Receptacle mounting Pin
- ⑥ Wire range: 025--2.5mm², 040--4.0mm², 060--6.0mm², 100--10.0mm²
- ⑦ Shield Function: S--shield, No mark--unshield
- ⑧ HVIL: No mark--No HVIL 01--Included HVIL

KRX16 3-Pin Connector

Feature

- ◆ Touch-proof design
- ◆ HVIL and shield options
- ◆ Ingress protection: IP67
- ◆ 360° shielded connection
- ◆ Multiple key options: X, Y, U, V
- ◆ Push-pull locking with secondary locking function
- ◆ Wide Wire Range Options: 2.5mm², 4.0mm², 6.0mm², 10.0mm²

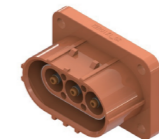
Specification

- ◆ Temperature: -55°C~+125°C
- ◆ Rated Current: 40A
- ◆ Insulation Resistance: 500MΩ
- ◆ Dielectric Withstand Voltage: 3000V DC
- ◆ Mechanical Life: 500 times
- ◆ Salt Spray: 48 hours
- ◆ Ingress Protection: IP67

Product Picture

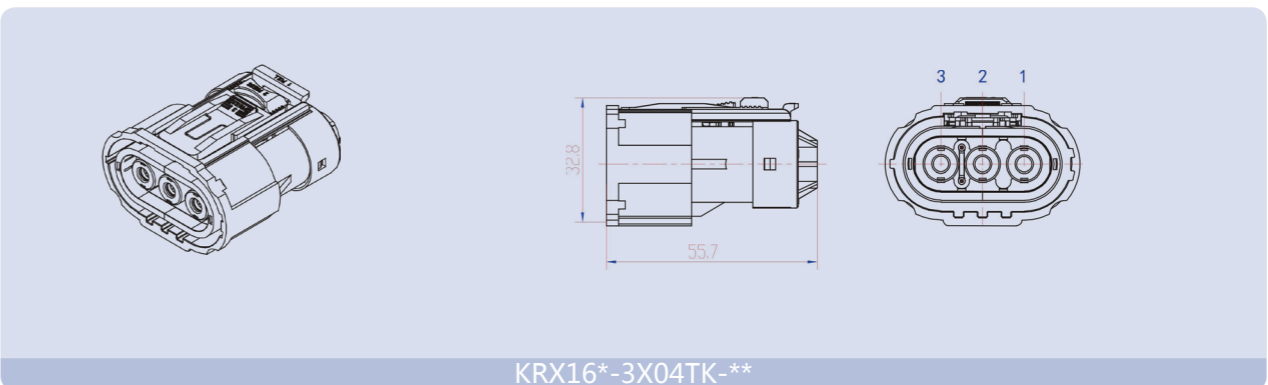


Plug

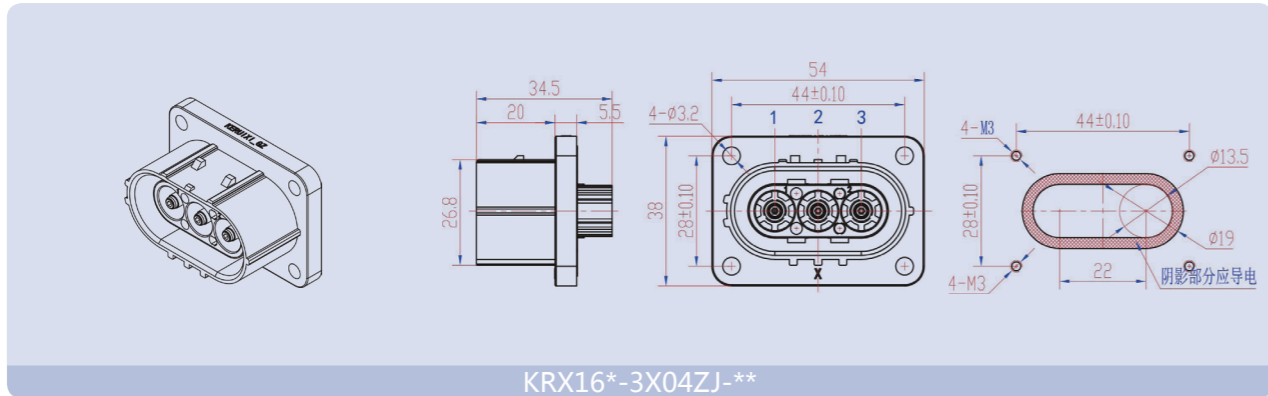


Receptacle

Mounting Dimension



KRX16*-3X04TK-**



KRX16*-3X04ZJ-**

How To Order

KRX	16	X	-	3X04	TK	-	025	-	S	-	01
①	②	③		④	⑤		⑥		⑦		⑧

- ① Master Code: KRX
- ② Product Series: 16
- ③ Position: X, Y, U, V
- ④ 3Pin: 3X04--3 pin, Pin/hole Diameter: Φ4
- ⑤ Connector type: TK--Plug mounting hole
- ⑥ Wire range: 025--2.5mm², 040--4.0mm², 060--6.0mm², 100--10.0mm²
- ⑦ Shield Function: S--shield, No mark--unshielded
- ⑧ HVIL: No mark--No HVIL 01--Included HVIL

KRX	16	X	-	3X04	ZJ	-	025	-	S	-	01
①	②	③		④	⑤		⑥		⑦		⑧

- ① Master Code: KRX
- ② Product Series: 16
- ③ Position: X, Y, U, V
- ④ 3Pin: 3X04--3 pin, Pin/hole Diameter: Φ4
- ⑤ Connector type: ZJ--Socket mounting pin
- ⑥ Wire range: 025--2.5mm², 040--4.0mm², 060--6.0mm², 100--10.0mm²
- ⑦ Shield Function: S--shield, No mark--unshielded
- ⑧ HVIL: No mark--No HVIL 01--Included HVIL

KRX17 2-Pin Connector

Product Character

- ◆ Touch-proof design
- ◆ HVIL and shield options
- ◆ Ingress protection: IP67
- ◆ 360° shielded connection
- ◆ Multiple key options: X, Y, U, V
- ◆ Push-pull locking with secondary locking function
- ◆ Wide wire range option: 10mm², 16mm², 25mm²

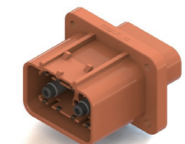
Main Feature

- ◆ Temperature: -55°C ~ +125°C
- ◆ Rated Current: 120A
- ◆ Insulation Resistance: 500MΩ
- ◆ Dielectric Withstand Voltage: 3000V DC
- ◆ Mechanical Life: 500 times
- ◆ Salt Spray: 48 hours
- ◆ Ingress Protection: IP67

Product picture

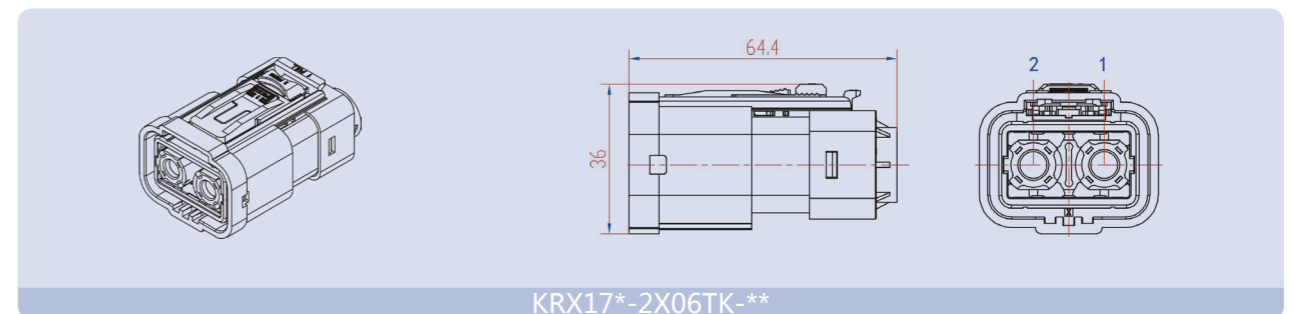


Plug

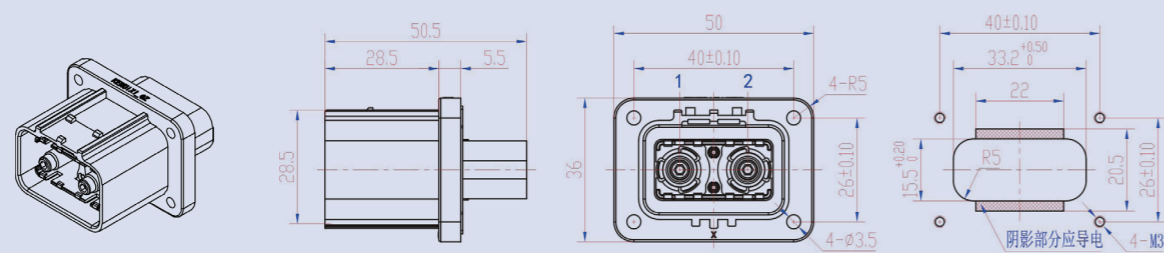


Receptacle

Mounting Dimension



KRX17*-2X06TK-**



KRX17*-2X06ZJ-**

How To Order

KRX	17	X	-	2X06	TK	-	16	-	S	-	01
①	②	③		④	⑤		⑥		⑦		⑧

- ① Master Code: KRX
- ② Product Series: 17
- ③ Position: X, Y, U, V
- ④ 2Pin: 2X06--2 pin, Pin/hole Diameter: $\Phi 6$
- ⑤ Connector Type: TK--Plug mounting hole
- ⑥ Wire range: 16--16mm², 25--25mm²
- ⑦ Shield Function: S--shield, No mark-- unshielded
- ⑧ HVIL: No mark--No HVIL 01--Included HVIL

KRX	17	X	-	2X06	ZJ	-	16	-	S	-	01
①	②	③		④	⑤		⑥		⑦		⑧

- ① Master Code: KRX
- ② Product series: 17
- ③ Position: X, Y, U, V
- ④ 2Pin: 2X06--2 pin, Pin/hole Diameter: $\Phi 6$
- ⑤ Connector Type: ZJ-- Receptacle mounting Pin
- ⑥ Wire range: 16--16mm², 25--25mm²
- ⑦ Shield Function: S--shield, No mark-- unshielded
- ⑧ HVIL: No mark--No HVIL 01--Included HVIL

KRX1SCM* Fuse Base

Product Character

- ◆ Bolt specification: M8, M6
- ◆ Two thick washer which connect is more reliable
- ◆ Mounting base is glass fiber reinforced engineering plastic, high strength and light weight

Main Feature

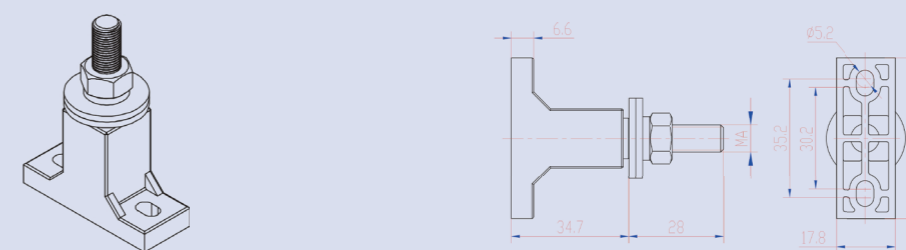
- ◆ Temperature: -55°C ~ +125°C
- ◆ Rated Current: 400A
- ◆ Insulation Resistance: 500M Ω
- ◆ Dielectric Withstand Voltage: 5000V DC
- ◆ Salt Spray: 48 hours

Product picture



Fuse Base

Mounting Dimension



KRX-1SCM8/KRX-1SCM6

How To Order

KRX	-	1SC	M*
①		②	③

- ① Master Code: KRX
- ② Connector type: 1SC-Fuse base
- ③ Bolt specification: M8, M6

2 pin Cross hole Connector

Feature

- ◆ Shield options
- ◆ Touch-proof design
- ◆ Ingress protection: IP67
- ◆ 360° shielded connection
- ◆ Wide wire range option: 25mm², 35mm²
- ◆ Mounting base is glass fiber reinforced engineering plastic, high strength and light weight

Specification

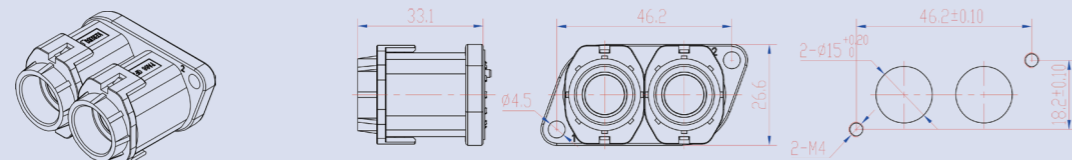
- ◆ Temperature: -55°C~+125°C
- ◆ Insulation Resistance: 500MΩ
- ◆ Dielectric Withstand Voltage: 3000V DC
- ◆ Ingress Protection: IP67
- ◆ Salt Spray: 48 hours

Product Picture



Product

Mounting Dimension



KRX-2x**-*

How To Order

KRX	-	2x	25-6	-	S
①		②	③		④

- ① Master Code: KRX
- ② Product Type: 2x--2 pin cross hole
- ③ Product hole diameter: SC25-6, SC25-8, SC35-6, SC35-8
- ④ Shield Function: S--shield, No mark-- unshielded

KRX15 Series 3/4 pin socket

Feature

- ◆ Touch-proof design
- ◆ Ingress protection: IP67
- ◆ 360° shielded connection
- ◆ Wide wire range options
- ◆ Triple spiral slot bayonet locking
- ◆ Tail accessories is 0100 type and A type options
- ◆ Receptacle hole built in crown springs, both surface are silver plated

Specification

- ◆ Temperature: -55°C~+125°C
- ◆ Rated Current: 50A
- ◆ Insulation Resistance: 1000MΩ
- ◆ Dielectric Withstand Voltage: 2500V DC
- ◆ Mechanical Life: 500 times
- ◆ Salt Spray: 48 hours
- ◆ Ingress Protection: IP67
- ◆ Wire Range: 2.5 mm², 4.0 mm², 6.0 mm²
- ◆ A type wire Diameter: Φ6-Φ12

Production Picture

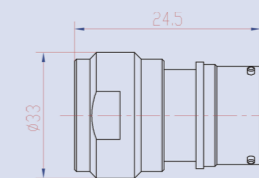
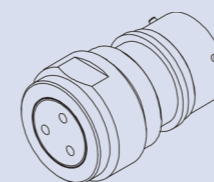


0100 type

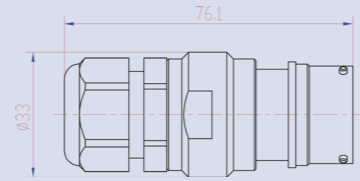
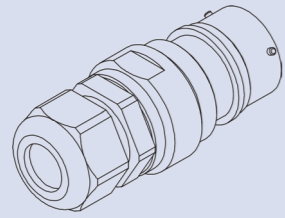


A type

Mounting Dimension



KRX15-***ZK-0100-***



KRX15X-**ZK-A-***

How To Order

KRX	15	X	-	03	ZK	-	0100	-	025
①	②	③		④	⑤		⑥		⑦

- ① Master Code: KRX
- ② Product Series: 15
- ③ Position: X, Y, U, V
- ④ Position: 03--3 Pin, 04--4 Pin
- ⑤ Connector Type: ZK- Receptacle mounting hole
- ⑥ Plug tail code: 0100--Single wire A--Muti pin Sheathed wire
- ⑦ Wire range: 025--2.5mm², 040--4.0mm², 060--6.0mm²

Harness & PDU

Harness

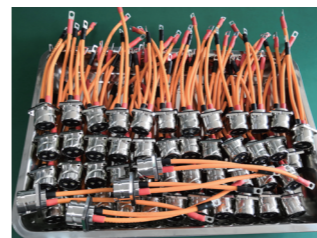
We can design and produce all kinds of signal and power harness base on customer request. Here for reference:



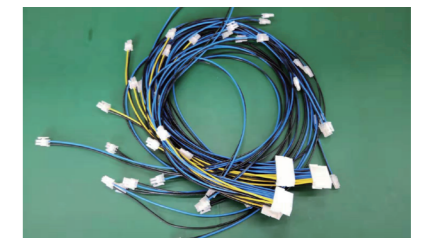
Signal



Power



Power



PDU

We can supply PDU design base on customer schematic. Here for reference:

